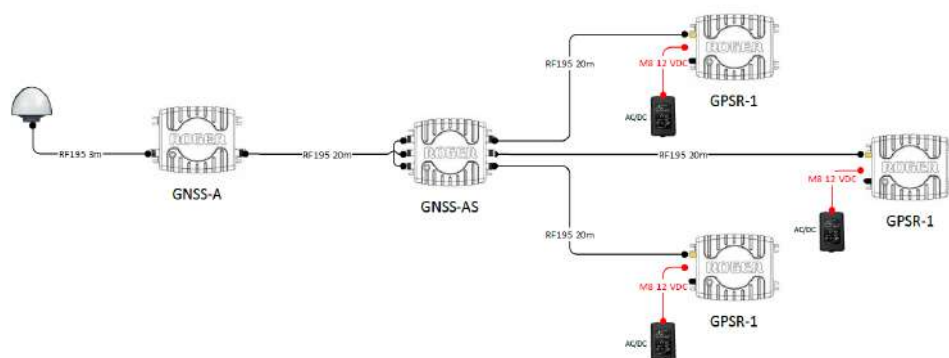
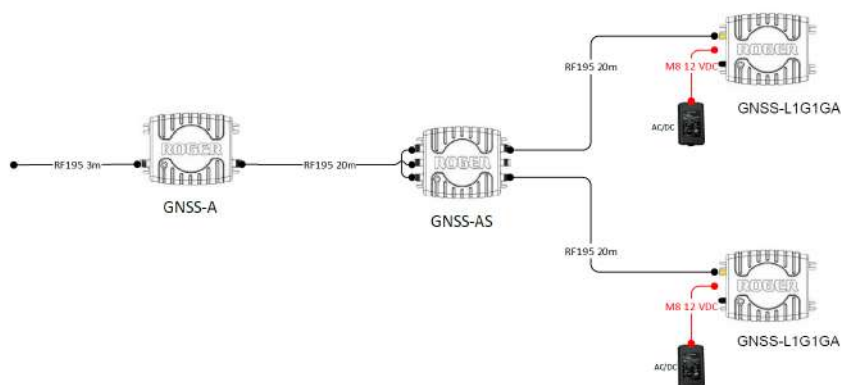


## GNSS-L1G1GA-SAP Package

GNSS-L1G1GA-SAP package is created to be used with GNSS-L1G1GA-BP package to extend coverage area of one repeater to three repeaters from one out door antenna.

Content of GNSS-L1G1GA-SAP:

- 3 meter RF195 TNC-TNC cable
- GNSS-A
- GNSS-AS
- 2 pieces 20 meter RF195 TNC-SMA cables
- 2 x GNSS-L1G1GA-EU/UK/US repeaters



On the left picture shows how GNSS-SAP is installed with GNSS-L1G1GA-BP package.

### Technical information:

GNSS-L1G1GA-SAP package:

Frequency:

GPS L1 (1.57542 GHz)  
GLONASS G1 (1.602 GHz)  
GALILEO E1 (1.57542 GHz)  
BEIDOU B1 (1.5611 GHz)

Casing:

IP51

RF Cables:

RF195

Order code:

GNSS-L1G1GA-SAP-EU/UK/US

Package weight:

~8 kg